

VERSALIFT

VO-355-MHI

High voltage insulated
overcenter platform



46 kV insulation
(ANSI A92.2 Cat. C)



Overcenter design



Dual bucket setup



Material handler
jib/winch



360° continuous
rotation

VERSALIFT

A **TIME** MANUFACTURING COMPANY

VO-355-MHI on MAN

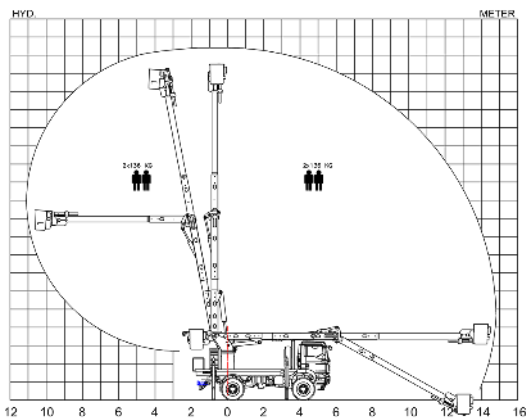


■ Length: 7685 mm ■ Height: 3900 mm ■ Wheelbase: 3900 mm



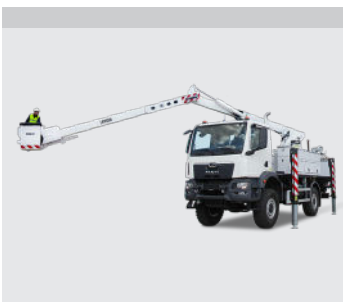
19,4 m 17,4 m 14,8/11,0 m 2x136kg Dual buckets N/A Hydraulic 2x A-frame 46 kV 17.500 kg 3.625 kg 360° continuous CE

Diagramme(s)

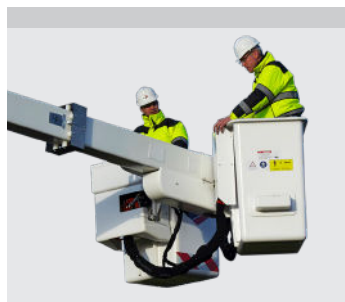


Options

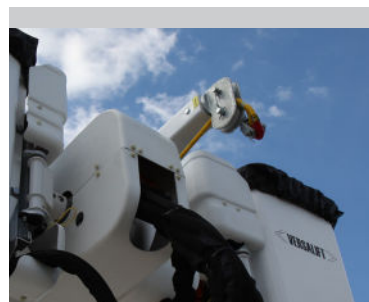
- ANSI A92.2 Cat. B (69 kV)**
- Leakage monitoring system
- Grounding cable reel
- Bucket covers & liners
- Outrigger variations
- Electric test band
- Cover for insulated boom parts
- Cabinets for the chassis



Overcenter unit with articulating lower boom and articulating upper boom



Bucket entry from the vehicle and from the ground



Materiale handler jib/winch



Unitrol single stick

Notes

Technical information is subject to change without notice. Images may show optional equipment.

* Depending on the vehicle.

** Testing and certification for ANSI A92.2 Cat. B (69 kV and below). This option includes interior and exterior test bands, conductive couplers on hoses and airlines, and a metering receptacle.

Distributor