

# VERSALIFT

## VTX-240 G3

Two 3-stage telescopic  
booms



Reach worksites up  
and over obstacles



Reach worksites below  
the vehicle



Automatic setup and  
packing



Available for class B  
driving licence



2 x 90° bucket rotation



# VERSALIFT

A **TIME** MANUFACTURING COMPANY

# VTX-240 G3 on Mercedes-Benz Sprinter



All high strength steel structure and Multi bended booms.

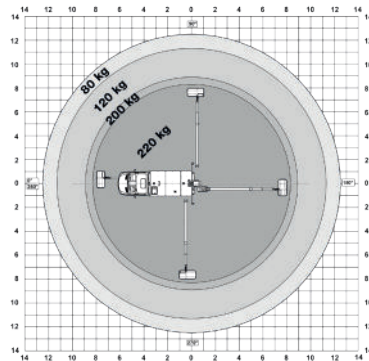
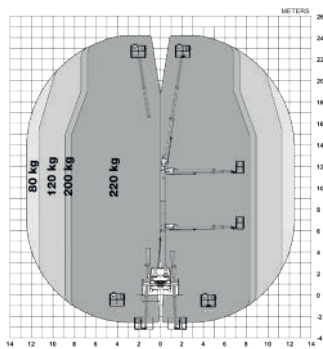
Very low transport height, under 2,3 m.

We use High Quality Wire Harness, Sealed Connectors and nonmechanical switches.

■ Length: 7,825 mm ■ Height: 2,260 mm ■ Wheelbase: 4,325 mm



## Diagramme(s)

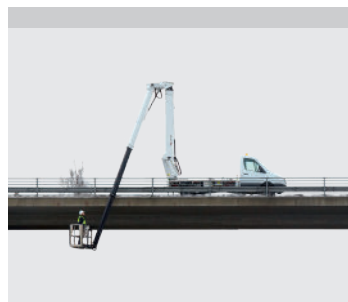


## Options

Userfriendly display in the cabin  
Eco start/stop  
Auto-door lock  
Available in most colors



Userfriendly display in the cabin



Ability to work below ground level (-3,3 meters)



6° leveling depending on vehicle position



FPC (Full Proportional CANbus controls): Up to 4 simultaneous actions (2 per joystick)

## Notes

Technical information is subject to change without prior notice. Images may show optional equipment. Installations and/or options may not be available in your specific region.

\* Depending on the vehicle.

\*\* Max payload with a driver, a passenger and a full tank of fuel (225 kg added to the installation weight).

\*\*\* Depending on the vehicle position

## Distributor

**Versalift International**  
Soendervang 3, 9640 Farsøe  
Denmark

+45 9863 2433  
sales@versalift.dk  
versaliftinternational.com