

VERSALIFT

VTL-140-F

Chassis mounted
telescopic platform



Available for class B
driving licence



FPC controls with up to
4 actions at a time



Emergency lowering
controls at the pedestal



Turret tailswing within
the mirrors



1 kV certified low
voltage insulation



VERSALIFT

A **TIME** MANUFACTURING COMPANY

VTL-140-F on Mercedes



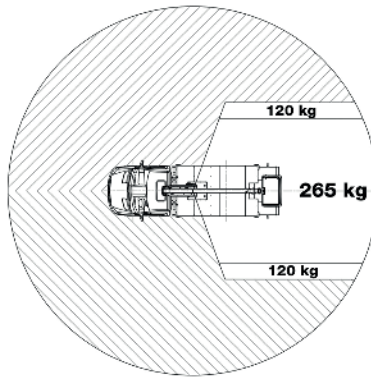
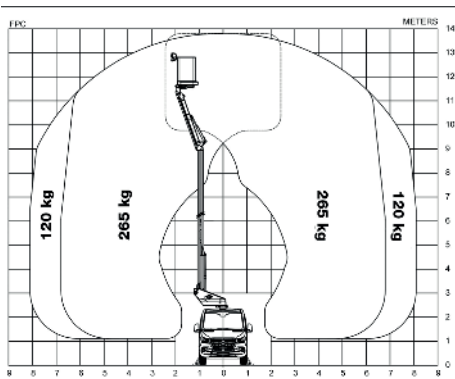
Manufactured from 1.5mm thick ultra-high strength steel

Added stability delivering smooth and steady working conditions

■ Length: 7,148 mm ■ Height: 3,200 mm ■ Wheelbase: 3,665 mm



Diagramme(s)



Options

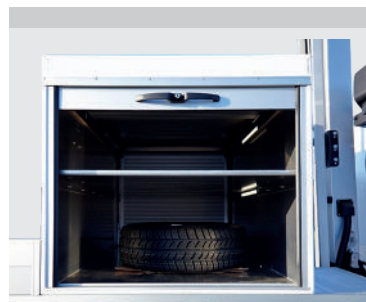
- Outrigger pads with holders
- Cabinet for the chassis
- Sideboards for the chassis
- Bucket rotator (2 x 90°) (230 kg bucket load)
- Inverter
- Reversing camera
- Drive option (drive the vehicle with raised platform)
- Load cell (Variable load dependant outreach)
- Home function & limited working area without outriggers



The shaped profile ultra high strength steel booms provide improved rigidity, stiffness and performance



Ground level emergency lowering from the chassis (pedestal mounted valve bank)



Cabinet for the chassis (optional)



FPC (Full Proportional CANbus controls): Up to 4 simultaneous actions (2 per joystick)

Notes

Technical information is subject to change without prior notice. Images may show optional equipment. Installations and/or options may not be available in your specific region.

* Depending on the vehicle.

** Max payload with a driver, a passenger and a full tank of fuel (220 kg added to the installation weight).

*** Reduced outreach. May require axle lock.

**** Requires the option "Limited working area without outriggers".

Distributor

Versalift International
Soendervang 3, 9640 Farsoe
Denmark

+45 9863 2433
sales@versalift.dk
versaliftinternational.com